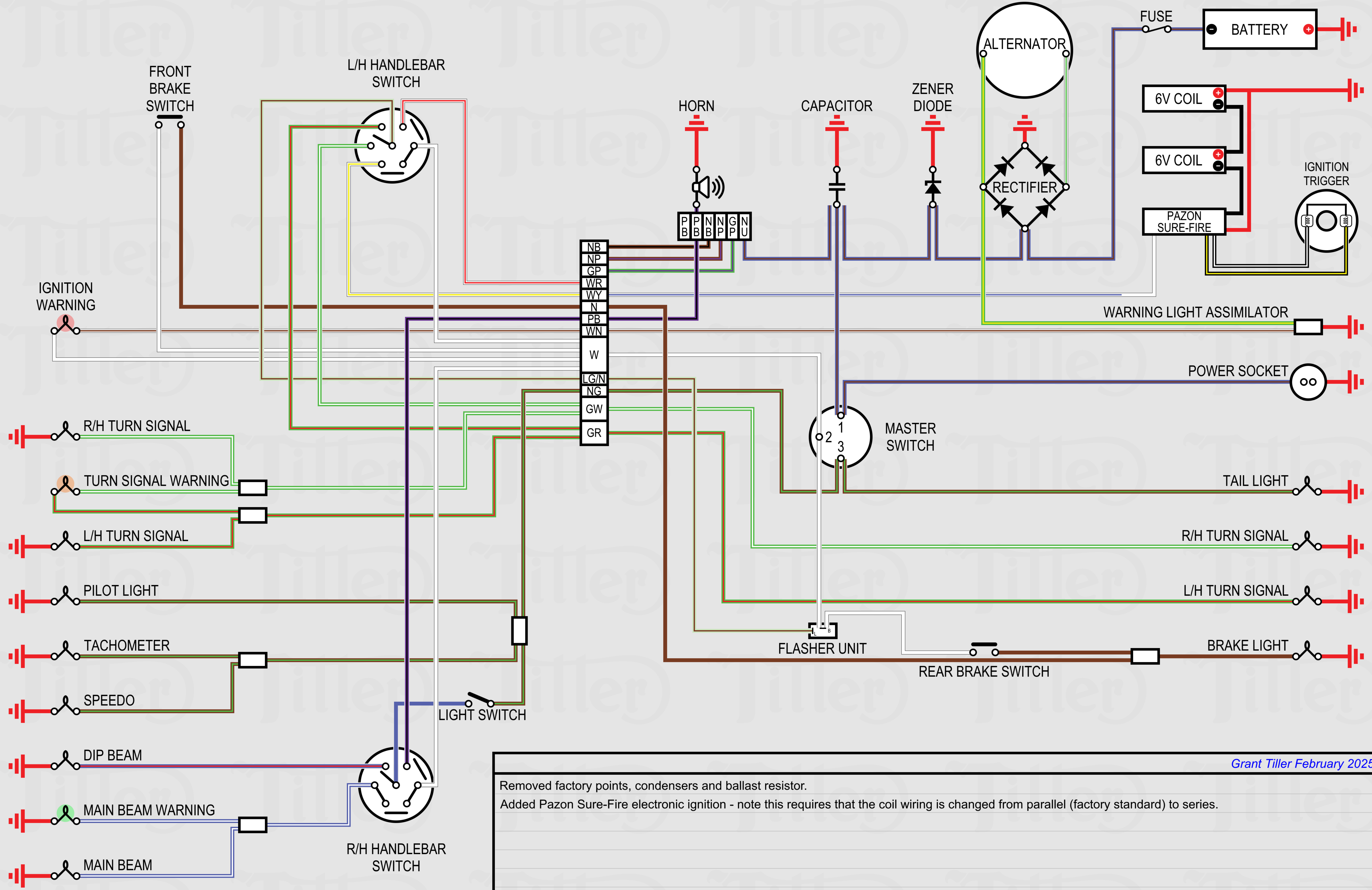


1971 Norton Commando Wiring Schematic + Pazon Sure-Fire Electronic Ignition



Grant Tiller February 2025

Removed factory points, condensers and ballast resistor.
 Added Pazon Sure-Fire electronic ignition - note this requires that the coil wiring is changed from parallel (factory standard) to series.

Standard wiring is Positive Earth - that is to say RED (POSITIVE) cable goes FROM the battery TO the frame.