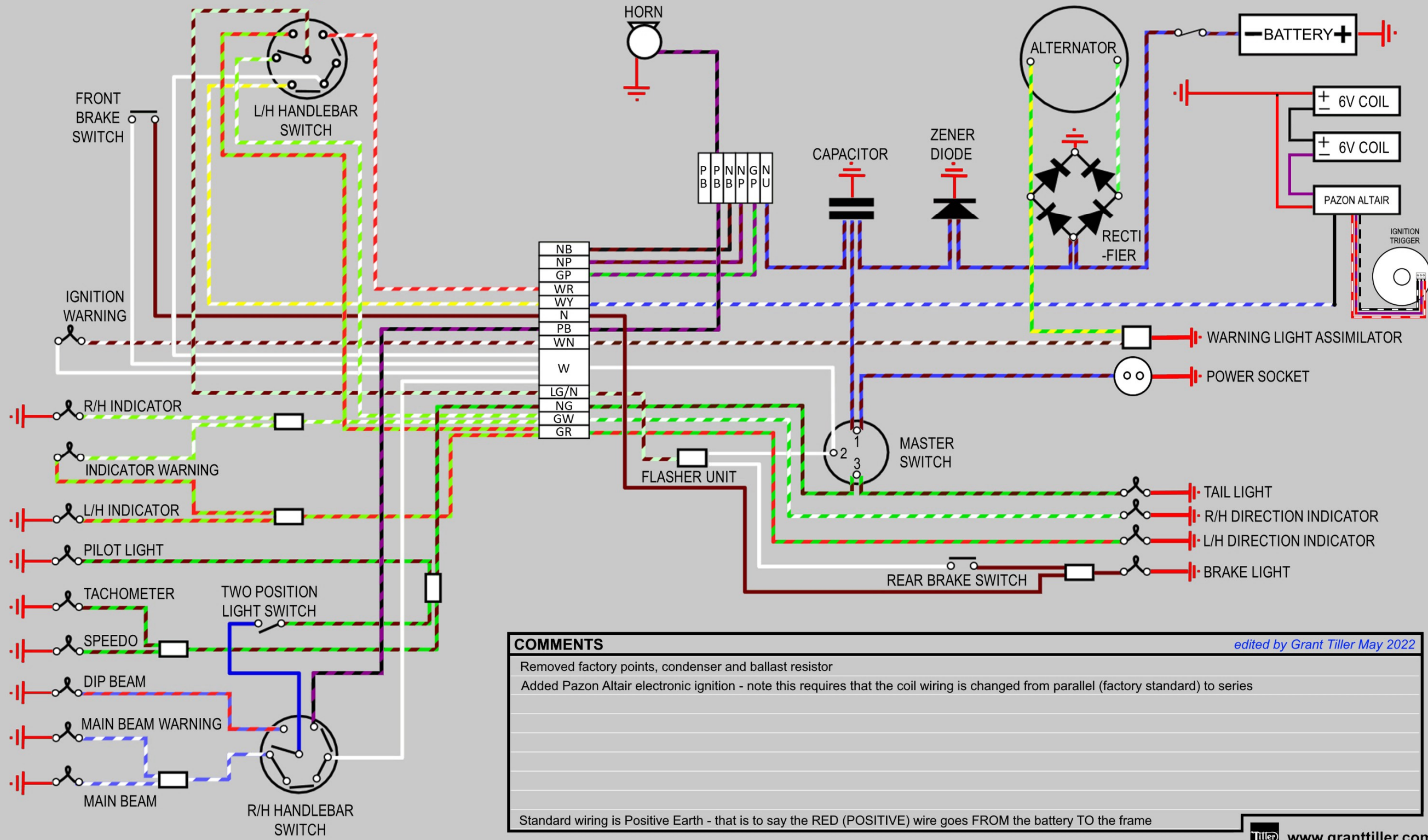


1971 Norton Commando Wiring Diagram



COMMENTS

edited by Grant Tiller May 2022

Removed factory points, condenser and ballast resistor
 Added Pazon Altair electronic ignition - note this requires that the coil wiring is changed from parallel (factory standard) to series

Standard wiring is Positive Earth - that is to say the RED (POSITIVE) wire goes FROM the battery TO the frame