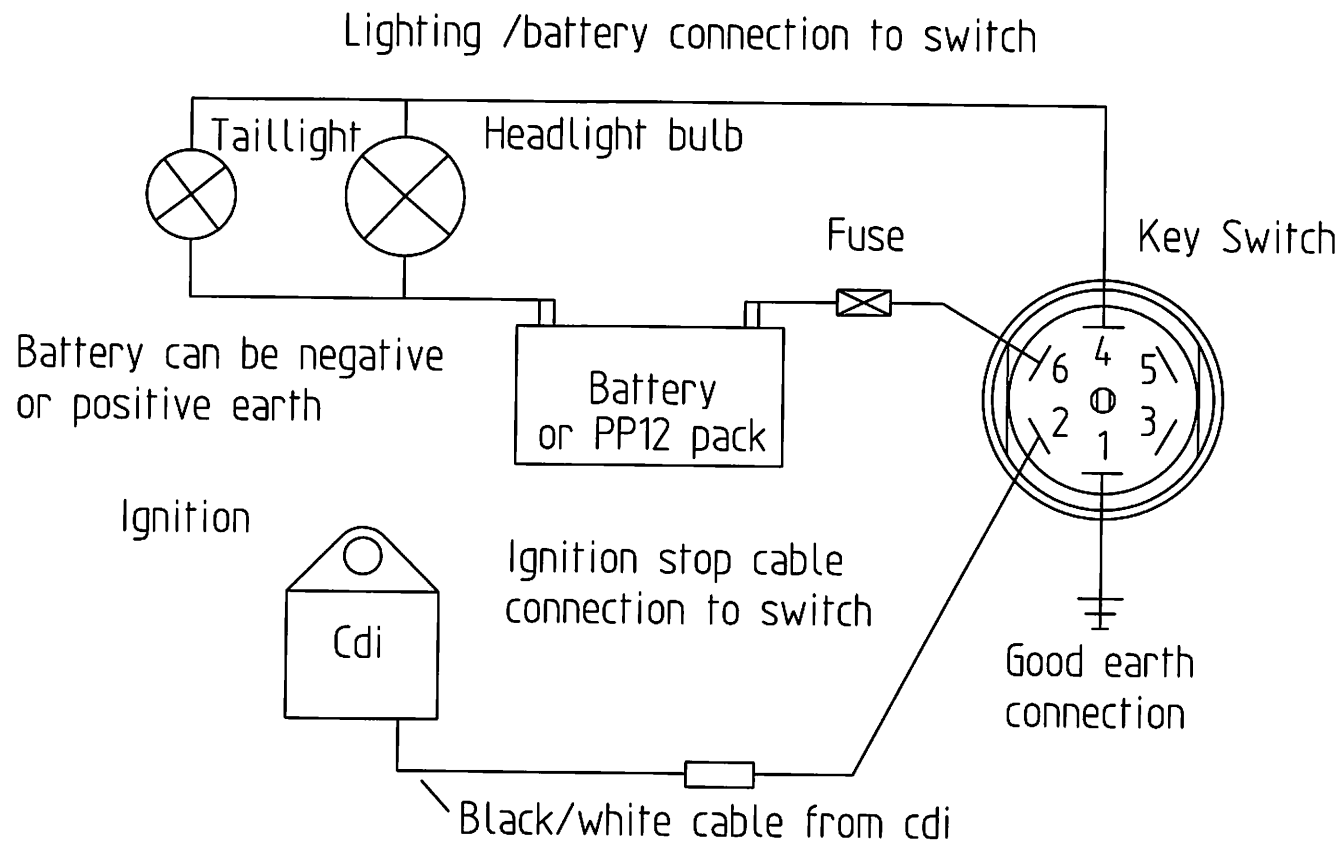
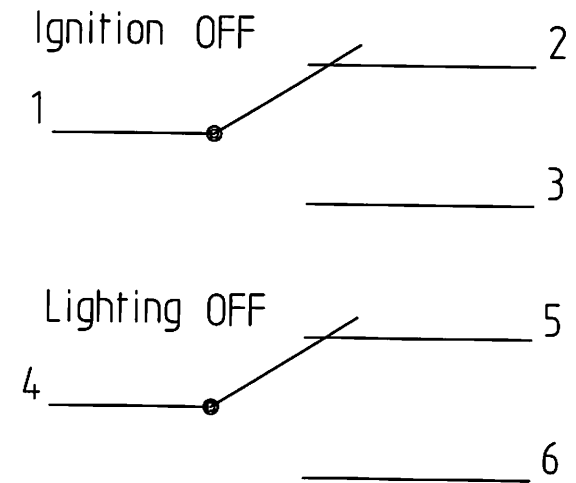


Double pole key switch

Part no. SW01K



Contact arrangement as shown below is with the ignition OFF
The key is removable in this position.



Notes. The double pole switch is suitable for a cdi system which requires the ignition to be earthed to stop the engine.

The switch has x2 independent circuits so the lighting can be connected as shown above - if required.

The cdi ignition must not be connected to the 12v circuit as this will damage it.